

**Fitting Instructions:
 Speed Triple (1050cc)
 Rear Hugger Kit - A9700165
 Rear Hugger Kit - Carbon Fibre - A9728019**



Warning

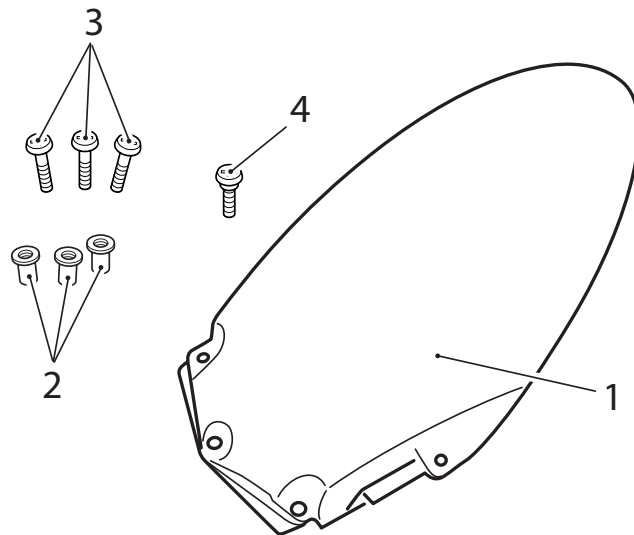
When fitting this accessory kit, raise the rear wheel of the motorcycle clear of the ground using a suitable jack placed under the engine. Ensure the motorcycle is stabilised and adequately supported to prevent risk of injury from the motorcycle falling.

Warning

Always have Triumph approved parts, accessories and conversions fitted by a trained technician of an authorised Triumph Dealer. The fitment of parts, accessories and conversions by a technician who is not of an authorised Triumph dealer may affect the handling, stability or other aspects of the motorcycles operation which may result in loss of motorcycle control and an accident.

Warning

This accessory kit is designed for use on Triumph Speed Triple (1050cc) motorcycles only and should not be fitted to any other Triumph model or to any other manufacturer's motorcycle. Fitting this accessory kit to any other Triumph model or to any other manufacturer's motorcycle, may interfere with the rider and could affect the stability and handling of the motorcycle leading to an accident causing injury or death.



Parts Supplied:

- | | |
|--|---|
| 1. Rear Hugger 1 off | 3. Screw, M6 x 30 mm 3 off |
| 2. Flanged Sleeve 3 off | 4. Screw, M6 x 16 mm 1 off |

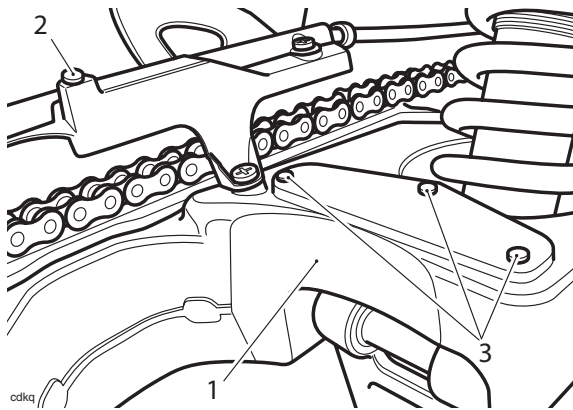
Warning

Failure to tighten any of the fasteners to the correct torque specification may result in loss of motorcycle control and an accident. Always use a calibrated torque wrench.

1. Carefully remove the four plugs (one large and three small) from the swinging arm as shown.

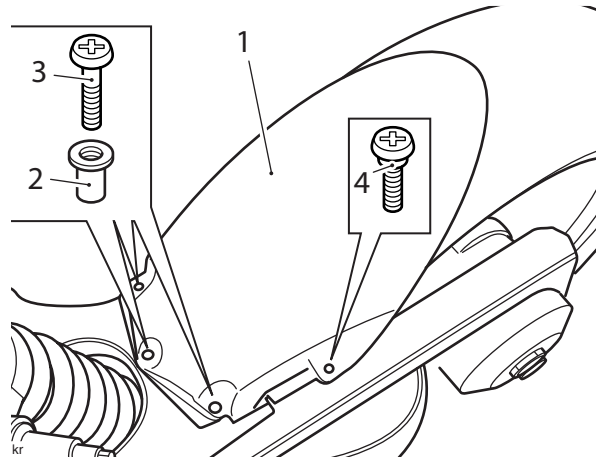
NOTE

- Retain the plugs for use if the motorcycle is returned to original condition.



1. Swinging arm (rear wheel and exhaust removed for clarity)
2. Large plug
3. Small plugs

2. Align the rear hugger to the swinging arm and secure using the flanged sleeves and fixings as shown. Tighten the fixings to **8 Nm**.



1. Rear hugger (bodywork and exhaust removed for clarity)
2. Flanged sleeve
3. Screw, M6 x 30 mm
4. Screw, M6 x 16 mm