

**Fitting Instructions:  
Speed Triple 1050  
Tail Pack - A9518060**

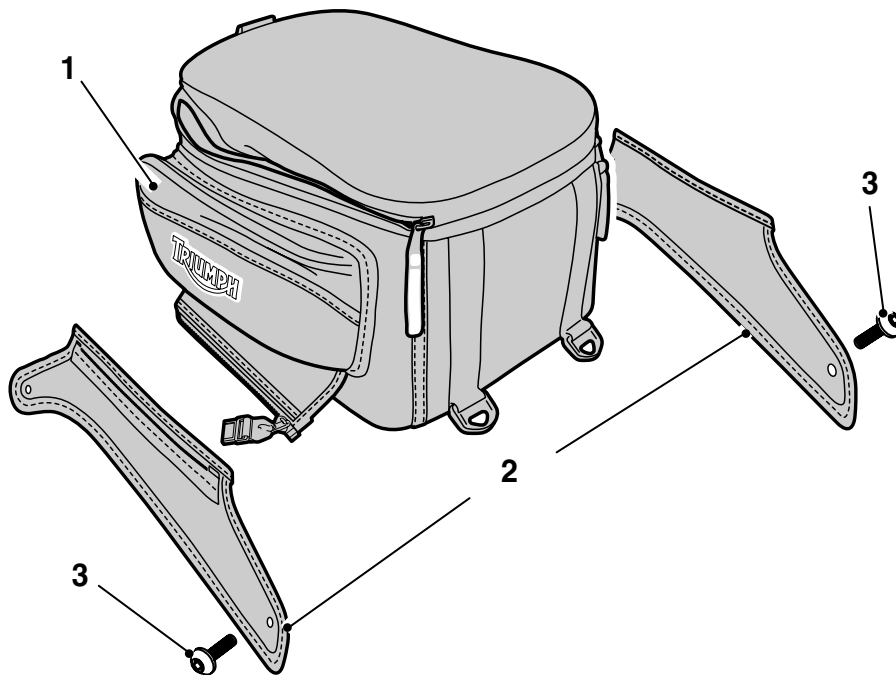


**Warning**

Always have Triumph approved parts, accessories and conversions fitted by a trained technician of an authorised Triumph dealer. The fitment of parts, accessories and conversions by a technician who is not of an authorised Triumph dealer may affect the handling, stability or other aspects of the motorcycles operation which may result in loss of motorcycle control and an accident.

**Warning**

This accessory kit is designed for use on Triumph Speed Triple 1050 motorcycles only and should not be fitted to any other Triumph model or to any other manufacturers motorcycle. Fitting this accessory kit to any other Triumph model, or to any other manufacturers motorcycle, may interfere with the rider and could affect the handling, stability or other aspects of the motorcycles operation which may result in loss of motorcycle control and an accident.



T0028

**Parts Supplied:**

- |   |              |                                     |              |
|---|--------------|-------------------------------------|--------------|
| <b>1. Tail pack</b> . . . . .           | <b>1 off</b> | <b>3. Retaining screw</b> . . . . . | <b>2 off</b> |
| <b>2. Side mount (1 pair)</b> . . . . . | <b>1 off</b> |                                     |              |

## Warning

Remove all shoulder straps from the tail pack before mounting the tail pack to the motorcycle. Operation of the motorcycle with the shoulder straps fitted may result in loss of motorcycle control and an accident.

## Warning

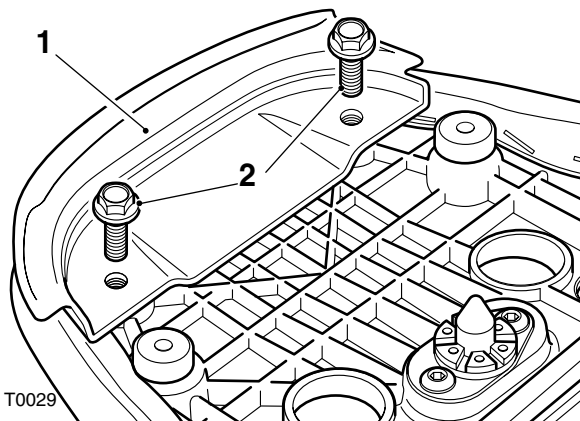
A torque wrench of known accurate calibration must be used when fitting this accessory kit. Failure to tighten any of the fasteners to the correct torque specification may affect motorcycle performance, handling and stability. This may result in loss of motorcycle control and an accident.

### NOTE

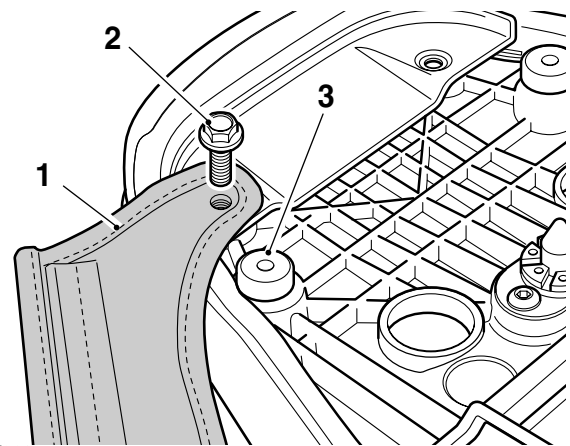
- **Completely read all the instructions before commencing the installation of the accessory kit in order to become thoroughly familiar with the kit's features and the installation process.**

### Installing the Tail Pack Mounts

1. Remove the seat.
2. Remove the rear seat finishing moulding fixings.
3. Locate one of the side mounts and retain with the original fixing screw. Ensure the side fixing is around, not over, the rubber seat grommet as shown. Tighten the fixing screw to a torque value of **3Nm**.

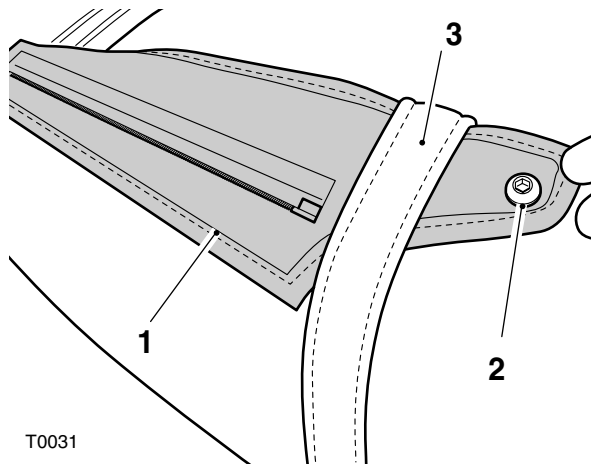


- T0029
1. Finishing moulding
  2. Fixing screw



- T0030
1. Side mount (left hand shown)
  2. Fixing screw
  3. Rubber grommet

4. Fold the side mount around the seat and then under the seat handstrap, as shown below. Retain with the new fixing screw provided. Tighten the fixing screw to a torque value of **3Nm**.

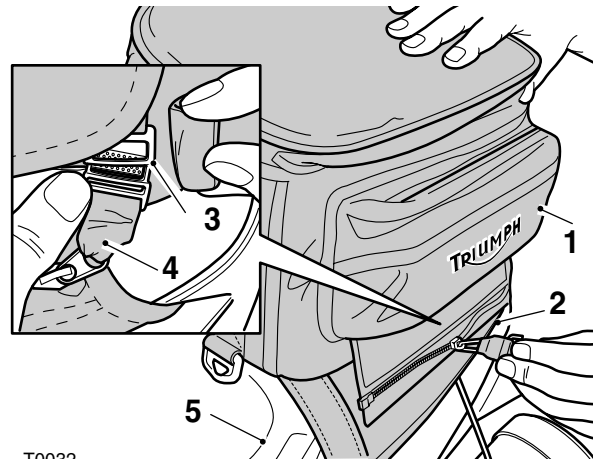


- T0031
1. Side mount (left hand shown)
  2. Retaining screw
  3. Seat handstrap

5. Repeat the procedure for the opposite side mounting.
6. Refit the seat.

## Installing the Tail Pack

1. Position the tail pack on the seat and retain to the side mounts with the two zips. Always ensure the zips are clipped into the quick release fasteners as shown below.



- T0032
1. Tail pack
  2. Side mount
  3. Quick release fastener
  4. Zip
  5. Motorcycle seat

### Warning

After fitting the accessory kit the motorcycle will exhibit new handling characteristics. Operate the motorcycle in a safe area free from traffic to gain familiarity with any new characteristics. Operation of the motorcycle when not familiar with any new handling characteristics may result in loss of motorcycle control and an accident.

### Warning

The maximum safe load for the tail pack is **5 Kg (11 lbs)**. Never exceed this loading limit as this may cause the motorcycle to become unstable leading to loss of control and an accident.

 **Warning**

Never ride an accessory equipped motorcycle (including those fitted with Triumph approved windscreens and luggage systems) at speeds above 80 mph (130 km/h). The presence of accessories such as windscreens and luggage systems will cause changes in the stability and handling of the motorcycle. Failure to allow for changes in motorcycle stability may lead to loss of control or an accident.

Remember that the 80 mph (130 km/h) limit will be reduced by the fitting of non-approved accessories, incorrect loading, worn tyres, overall motorcycle condition and poor road or weather conditions.

 **Warning**

This motorcycle must not be operated above the legal road speed limit except in authorised closed course conditions.

 **Warning**

Only operate this Triumph motorcycle at high speed in closed-course on road competition or on closed course racetracks. High speed operation should only be attempted by riders who have been instructed in the techniques necessary for high speed riding and are familiar with the motorcycle's characteristics in all conditions. High speed operation in any other circumstances is dangerous and will lead to loss of motorcycle control and an accident.