


**Fitting Instructions:  
Speed Triple 1050  
Finisher Kit, Silencer Mount - A9708093**



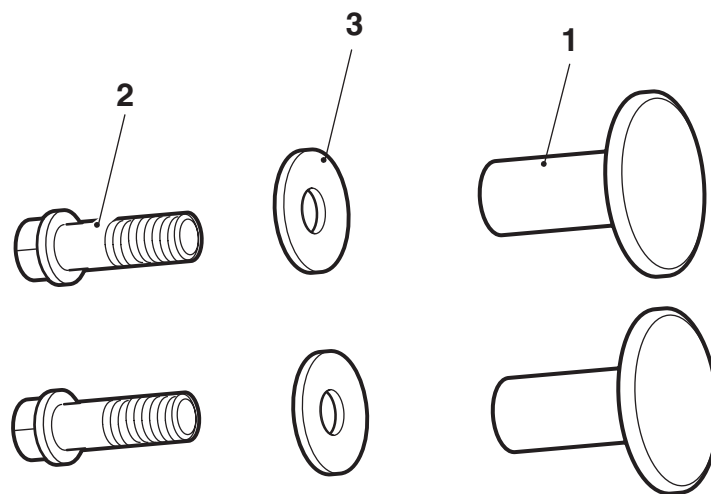
Thank you for choosing this Triumph genuine accessory kit. This accessory kit is the product of Triumph's use of proven engineering, exhaustive testing, and continuous striving for superior reliability, safety and performance.

Completely read all of these instructions before commencing the installation of the accessory kit in order to become thoroughly familiar with the kit's features and the installation process.

These instructions should be considered a permanent part of your accessory kit, and should remain with it even if your accessory equipped motorcycle is subsequently sold.

 **Warning**

This accessory kit is designed for use on Triumph Speed Triple 1050 motorcycles only and should not be fitted to any other Triumph model or to any other manufacturers motorcycle. Fitting this accessory kit to any other Triumph model, or to any other manufacturers motorcycle, may interfere with the rider and could affect the handling, stability or other aspects of the motorcycles operation which may result in loss of motorcycle control and an accident.



**Parts Supplied:**

- 1. Finisher, silencer mount . . . . . 2 off**
- 2. Bolt, flange hex head, M6 x 20. 2 off**
- 3. Washer, M6 . . . . . 2 off**

**Warning**

Throughout this operation, ensure that the motorcycle is stabilised and adequately supported on a paddock stand to prevent risk of injury from the motorcycle falling.

**Warning**

A torque wrench of known accurate calibration must be used when fitting this accessory kit. Failure to tighten any of the fasteners to the correct torque specification may affect motorcycle performance, handling and stability. This may result in loss of motorcycle control and an accident.

**Warning**

Always have Triumph approved parts, accessories and conversions fitted by a trained technician of an authorised Triumph dealer. The fitment of parts, accessories and conversions by a technician who is not of an authorised Triumph dealer may affect the handling, stability or other aspects of the motorcycles operation which may result in loss of motorcycle control and an accident.

**Warning**

This motorcycle must not be operated above the legal road speed limit except in authorised closed course conditions.

**Warning**

Only operate this Triumph motorcycle at high speed in closed-course on road competition or on closed course racetracks. High speed operation should only be attempted by riders who have been instructed in the techniques necessary for high speed riding and are familiar with the motorcycle's characteristics in all conditions.

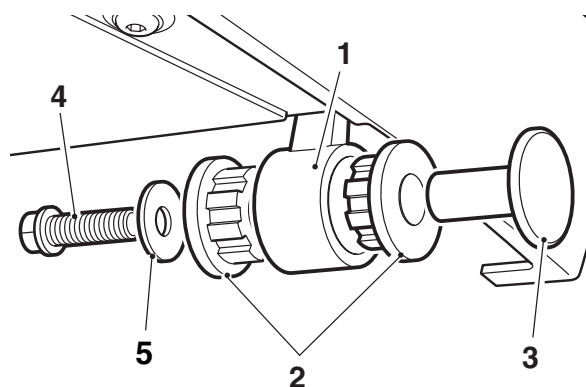
High speed operation in any other circumstances is dangerous and will lead to loss of motorcycle control and an accident.

**NOTE**

- **The rear silencer finisher kit A9708093 should be used when the standard exhaust system has been replaced with the Arrow race exhaust A9600195. The finisher kit both improves the appearance of the motorcycle and also provides protection for the original silencer mounting should the original exhaust system be refitted.**

1. Fit the original silencer mount grommets into the right hand side frame silencer mounting point. Push the finisher into the outer grommet and retain with the fixing bolt and washer provided, as shown.
2. Tighten the fixing bolts to a torque value of **3Nm**.

3. Repeat steps 1 and 2 for the left hand side frame silencer mount.



1. **Frame silencer mounting point**
2. **Grommet (original part)**
3. **Finisher**
4. **Fixing bolt**
5. **Fixing washer**